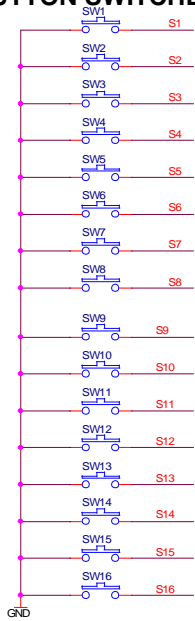
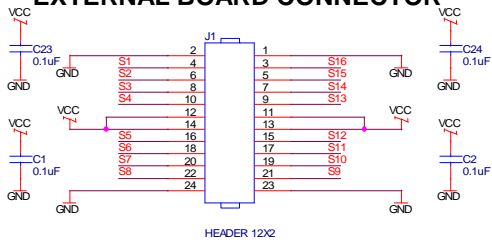


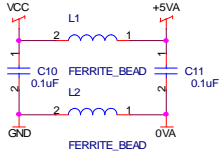
BUTTON SWITCHES



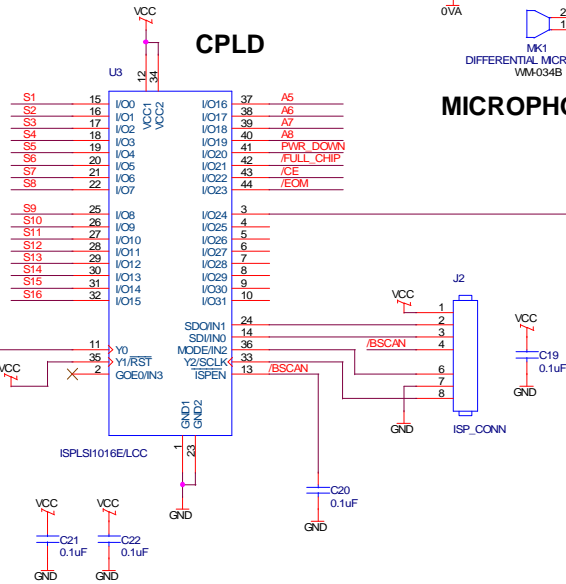
EXTERNAL BOARD CONNECTOR



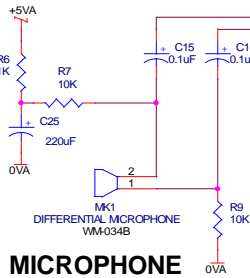
ANALOG / DIGITAL PLANE ISOLATOR



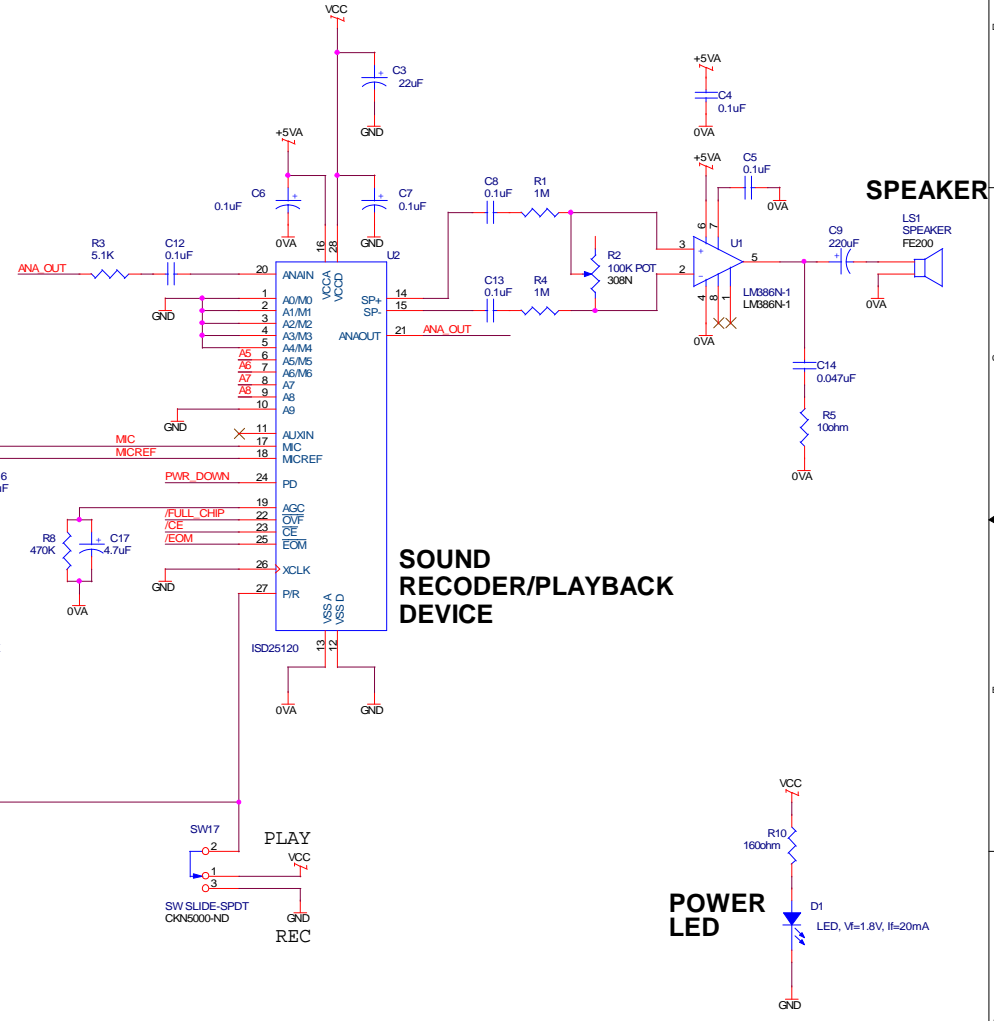
CPLD



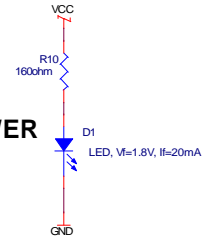
MICROPHONE



SOUND RECORDER/PLAYBACK DEVICE



POWER LED



Title		
PLAYBACK / RECORDER MODULE		
Size	Document Number	Rev
Custom	RECORD6.DSN	6
Date:	Wednesday, April 23, 2003	Sheet 1 of 1